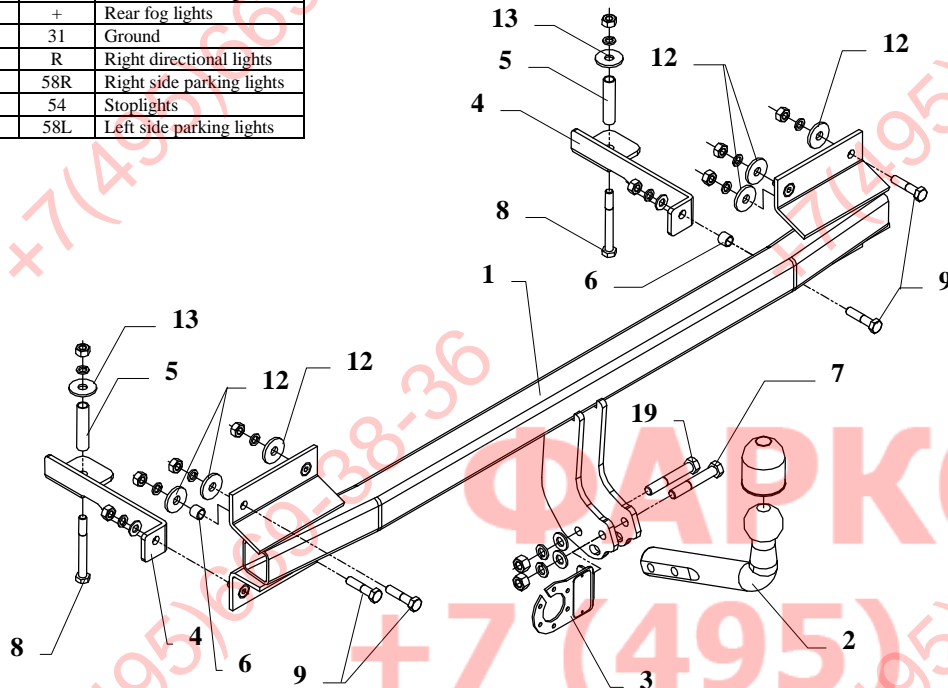


FITTING INSTRUCTION

Clamp mark in acc. with		Cables joining
ISO	PN	
1	L	Left directional lights
2	+	Rear fog lights
3	31	Ground
4	R	Right directional lights
5	58R	Right side parking lights
6	54	Stoplights
7	58L	Left side parking lights



This towing hitch is designed to assembly in following car: **KIA SEPHIA 4/5 door**, produced since 01.1993 till 1998, catalogue no. **T44** and is prepared to tow trailers max total weight **1450 kg** and max vertical load **50 kg**.

From manufacturer

Thank you for buying our product. Their reliability has been confirmed in many tests. Reliability of towing hitch depends also on correct assembly and right exploit. For this reasons we kindly ask to read carefully this instruction and apply to hints.

The towing hitch should be install in points described by a car producer.

The instruction of the assembly

1. Disassemble the rear bumper.
2. From left and right bumpers fastening twist off original screws and put screws M10x45mm (pos. 9).
3. On rear panel are 8 original holes (4 per each side) $\varnothing 8\text{mm}$, drill it using bit $\varnothing 10\text{mm}$.
4. Put main bar of towing hitch (pos. 1) on screws (pos. 9) protruding from the bumper. All unit (main bar and bumper) put to rear panel and fix by nuts (loosely), remember about big washers (pos. 12) and distance sleeve (pos. 6) on the left side. Do not twist on nuts in places where will be brackets pos. 4, see drawing.
5. From below the car put suitable brackets (pos. 4) to chassis members. Through brackets hole drill holes $\varnothing 10,5\text{mm}$ to the trunk. From trunk side drill it again using bit $\varnothing 15\text{mm}$ (only in upper side of chassis members). From trunk side to drilled holes put distance sleeves (pos. 5) and fix it according to the drawing. Fix brackets to main bar of the towing hitch, remember about sleeve (pos. 6) on the right side.
6. Fix tow ball (pos. 2) using bolt M12x75mm (pos. 7) and M12x70mm (pos. 19). With bolt M12x75mm fix also a socket plate (pos. 3). See figure 1.
7. Tighten all bolts according to the torque shown in the table.
8. Connect electric wires of 7-pole socket according to the instruction of the car. (Recommend to make at authorized service station)
9. Complete paint layer damaged during installation.

Torque settings for nuts and bolts (8,8):

M8	25 Nm	M10	55 Nm
M12	85 Nm	M14	135 Nm

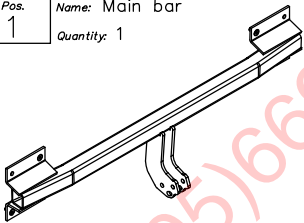


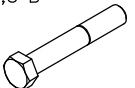

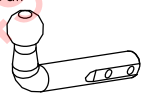
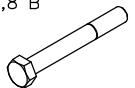

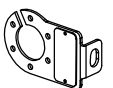
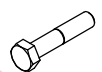

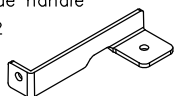






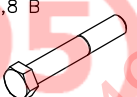
NOTE

After install the towing hitch you should get adequate note in registration book (at authorised service station). The car should be equipped with:

- Indicators
- Tow mirrors

After 1000km check all bolts and nuts. The ball of towing hitch must be always kept clear and conserve with a grease.

Towing hitch accessories:

Pos. 1 Name: Main bar Quantity: 1 	Pos. 6 Name: Distance sleeve II Quantity: 2 Dim.: Ø15xØ12mm L=13mm 	Pos. 13 Name: Plain washer Quantity: 2 Dim.: Ø35xØ12x3mm 
	Pos. 7 Name: Bolt 8,8 B Quantity: 1 Dim.: M12x75mm 	Pos. 14 Name: Plain washer Quantity: 2 Dim.: Ø 13 mm 
Pos. 2 Name: Tow-ball Quantity: 1 	Pos. 8 Name: Bolt 8,8 B Quantity: 2 Dim.: M10x90mm 	Pos. 15 Name: Plain washer Quantity: 2 Dim.: Ø 10,5 mm 
Pos. 3 Name: Socket plate Quantity: 1 	Pos. 9 Name: Bolt 8,8 B Quantity: 4 Dim.: M10x45mm 	Pos. 16 Name: Spring washer Quantity: 2 Dim.: Ø 12,2 mm 
Pos. 4 Name: Side handle Quantity: 2 	Pos. 10 Name: Nut 8 B Quantity: 2 Dim.: M12 	Pos. 17 Name: Spring washer Quantity: 10 Dim.: Ø 10,2 mm 
Pos. 5 Name: Distance sleeve I Quantity: 2 Dim.: Ø15xØ12mm L=65mm 	Pos. 11 Name: Nut 8 B Quantity: 10 Dim.: M10 	Pos. 18 Name: Ball cover Quantity: 1 
	Pos. 12 Name: Plain washer Quantity: 6 Dim.: Ø35xØ12x4mm 	Pos. 19 Name: Bolt 8,8 B Quantity: 1 Dim.: M12x70mm 



PPUH AUTO-HAK S.J.

Produkcja Zaczepów Kulowych
Henryk & Zbigniew Nejman
76-200 SŁUPSK ul. Słoneczna 16K
tel/fax (059) 8-414-414; 8-414-413
E-mail: office@autohak.com.pl
www. autohak.com.pl

Towing hitch (without electrical set)

Class: **A50-X** Cat. no. **T44**

Designed for:

Manufacturer: **KIA**

Model: **SEPHIA**

Type: **4/5 door**

produced since 01.1993 till 1998

Approval number according to Directive 94/20/EC: **e20*94/20*0611*00**

Technical data:

D-value: 7,38 kN

maximum trailer weight: **1450 kg**

maximum vertical cup load: **50 kg**

Foreword

This towing hitch is design according to rules of safety traffic regulations. The towing hitch is a safety component and must be installed only by qualified personnel. Any alteration or conversion to the towing hitch is prohibited and would lead to cancellation of design certification. Remove insulating compound and underseal from vehicle (if present) in the area of the matting surfaces of the towing hitch.

The vehicle manufacturer's specifications regarding trailer load and max. vertical cup load are decisive for driving, and values for the towing hitch must not be exceeded.

D-value formula:

$$\frac{\text{Max trailer weight [kg]} \times \text{Max vehicle weight [kg]}}{\text{Max trailer weight [kg]} + \text{Max vehicle weight [kg]}} \times \frac{9,81}{1000} = D \text{ [kN]}$$